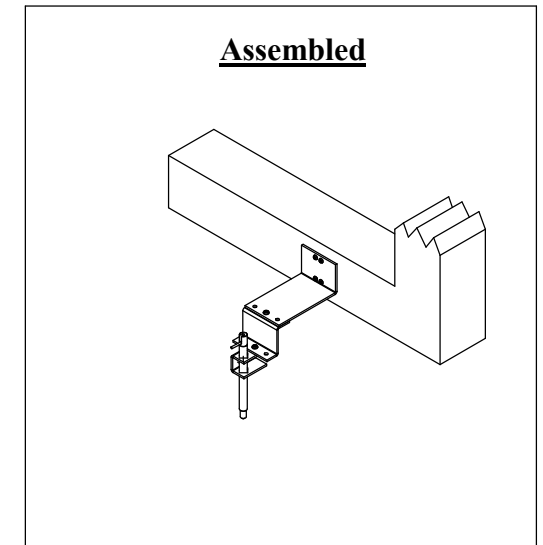
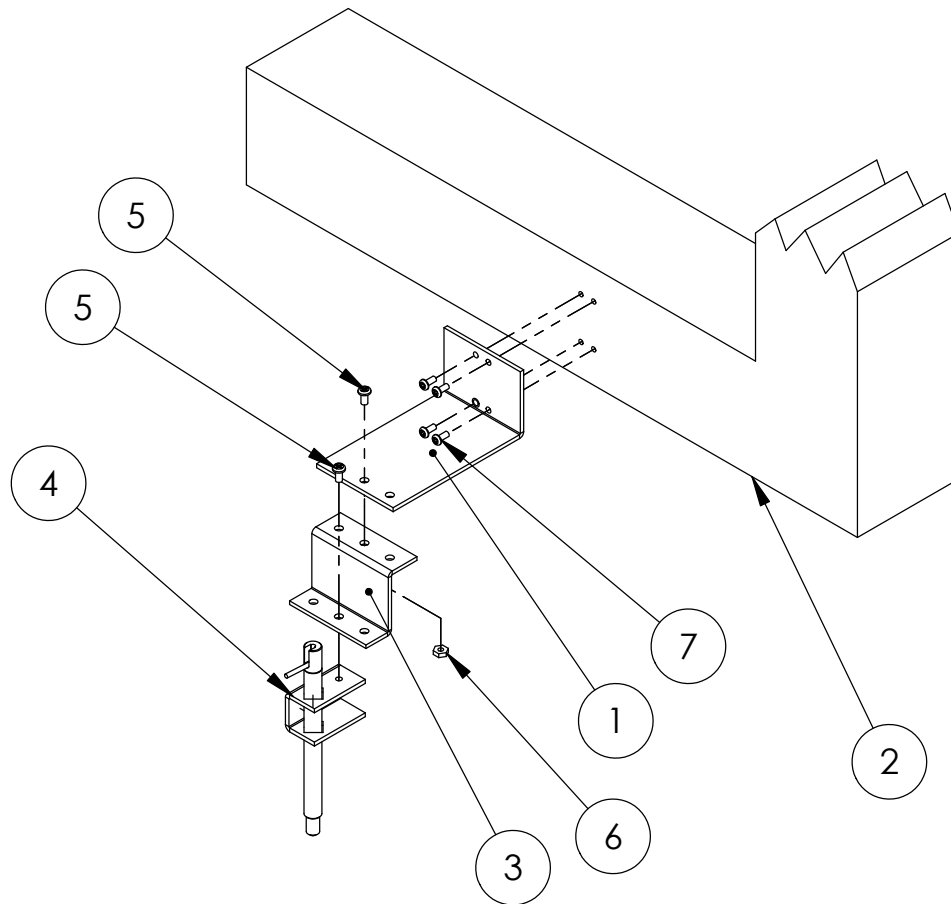


Quilt-EZ's Nolting Long Arm Mounting Instructions



ITEM NO.	DESCRIPTION	QTY.
1	Nolting Adapter	1
2	Nolting Machine Lower Arm	1
3	Nolting Adapter Extension	1
4	Quilt-EZ Stylus Assembly	1
5	#10 Button Head x .5 long	2
6	10-32 Nut	1
7	8-32 Philips Bolts	4

Instructions

1. Mount Nolting Adapter(#1) to machine using included 8-32 bolts(#7) and mounting to holes provided on machine. Tighten bolts until bracket is secure.
2. Mount Nolting Adapter Extension(#3) as shown. Tighten.
3. Mount Quilt-EZ Stylus(#4) as shown and tighten.