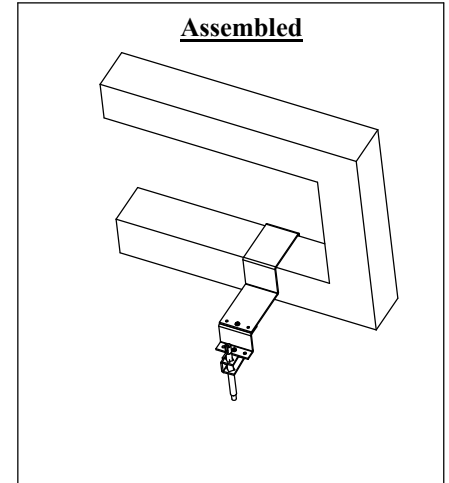
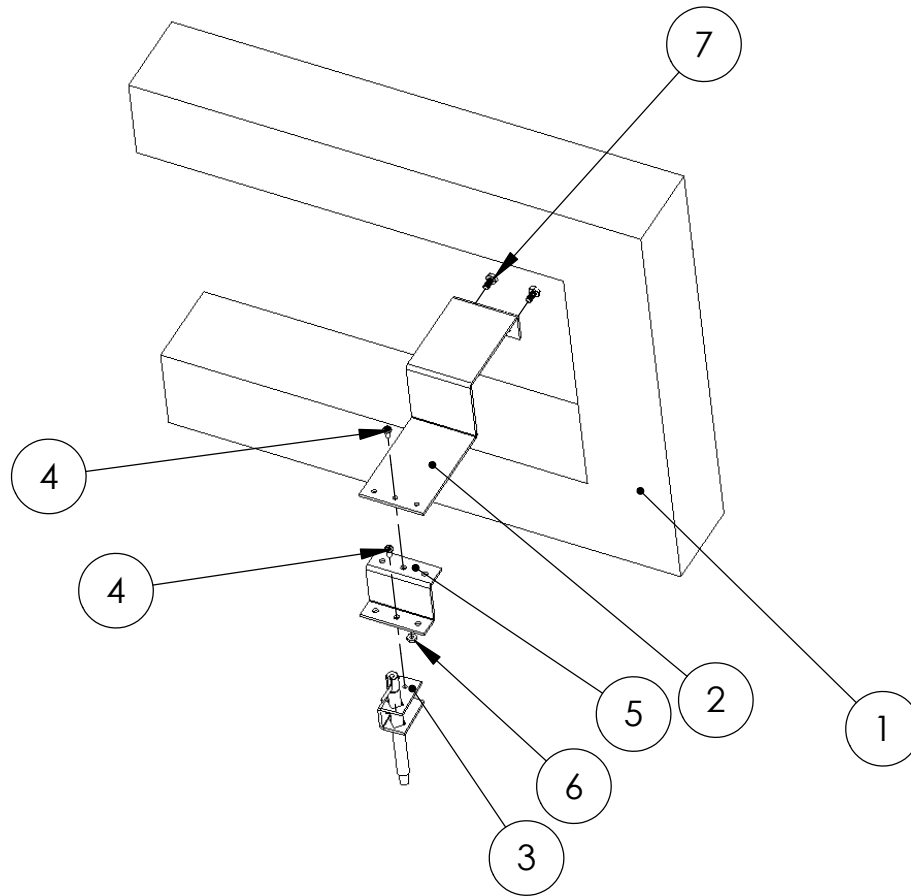


Quilt-EZ's Hobby/Fun Quilter Mounting Instructions



ITEM NO.	DESCRIPTION	QTY.
1	Long Arm Machine	1
2	Hobby Quilter Adapter 1	1
3	Quilt-EZ Stylus Assembly	1
4	#10 Button Head x .5 long	2
5	Nolting Adapter Extension	1
6	10-32 Nut	1
7	1/4-20 x 1/2 inch bolt	2

Instructions

1. Mount Hobby Quilter Adapter(#2) over lower machine arm as shown.
2. Tighten 1/4-20(#7) bolts until adapter is secure
3. Add Nolting Adapter Extension using #10 bolt(#4) and nut(#6). Tighten.
4. Mount Quilt-EZ Stylus Assembly(#3) as shown