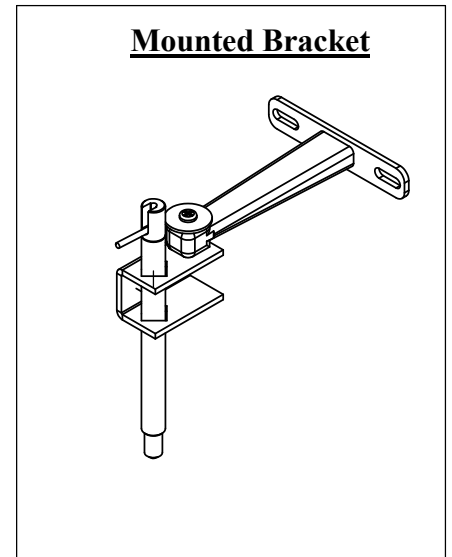
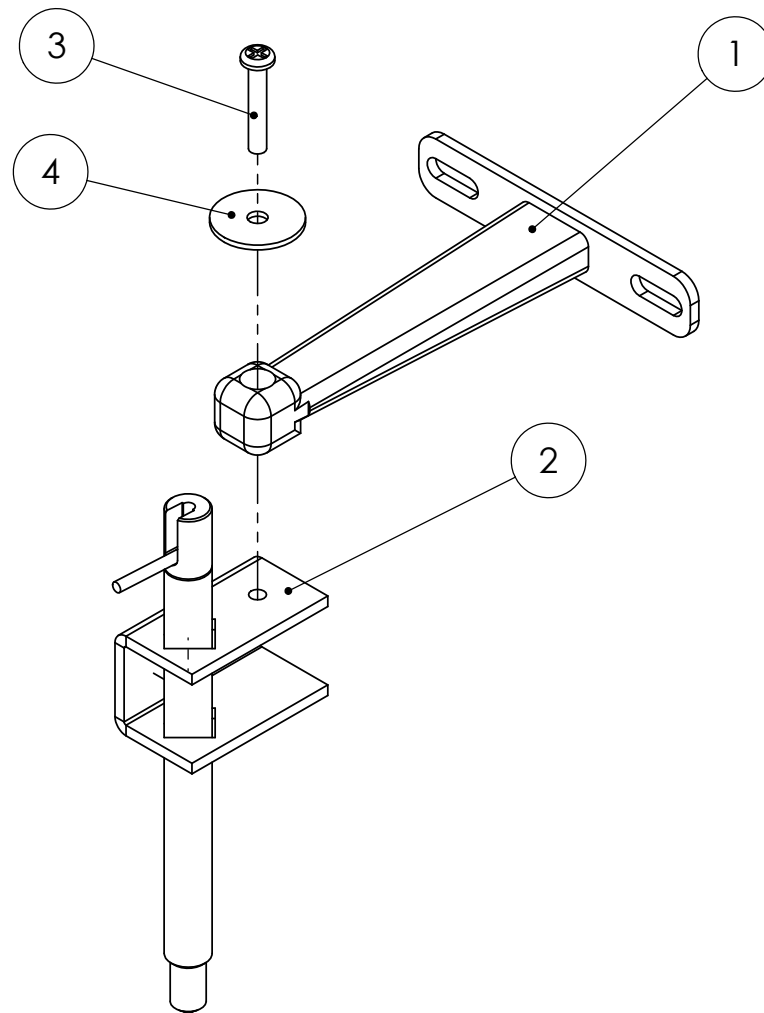


# Quilt-EZ Gammill Mounting Instructions



ITEM NO.	DESCRIPTION	QTY.
1	Gammill Stylus Mount	1
2	Quilt-EZ Stylus Assembly	1
3	#10 Button Head x 1.125 long	1
4	1 inch fender washer	1

## Instructions

1. Place Quilt-EZ Stylus Assembly under Gammill Stylus Mount
2. Place #10 Bolt through washer
3. Place Bolt and washer through Gammill mount.
4. Tighten securely.