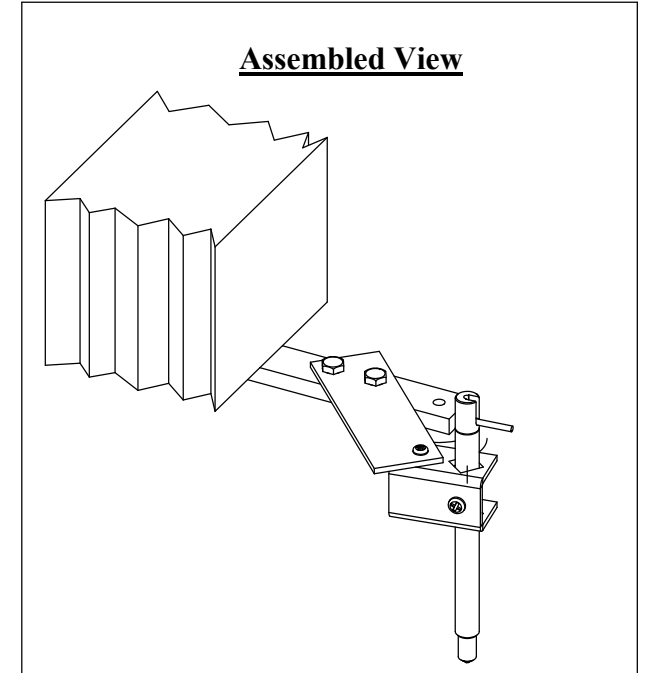
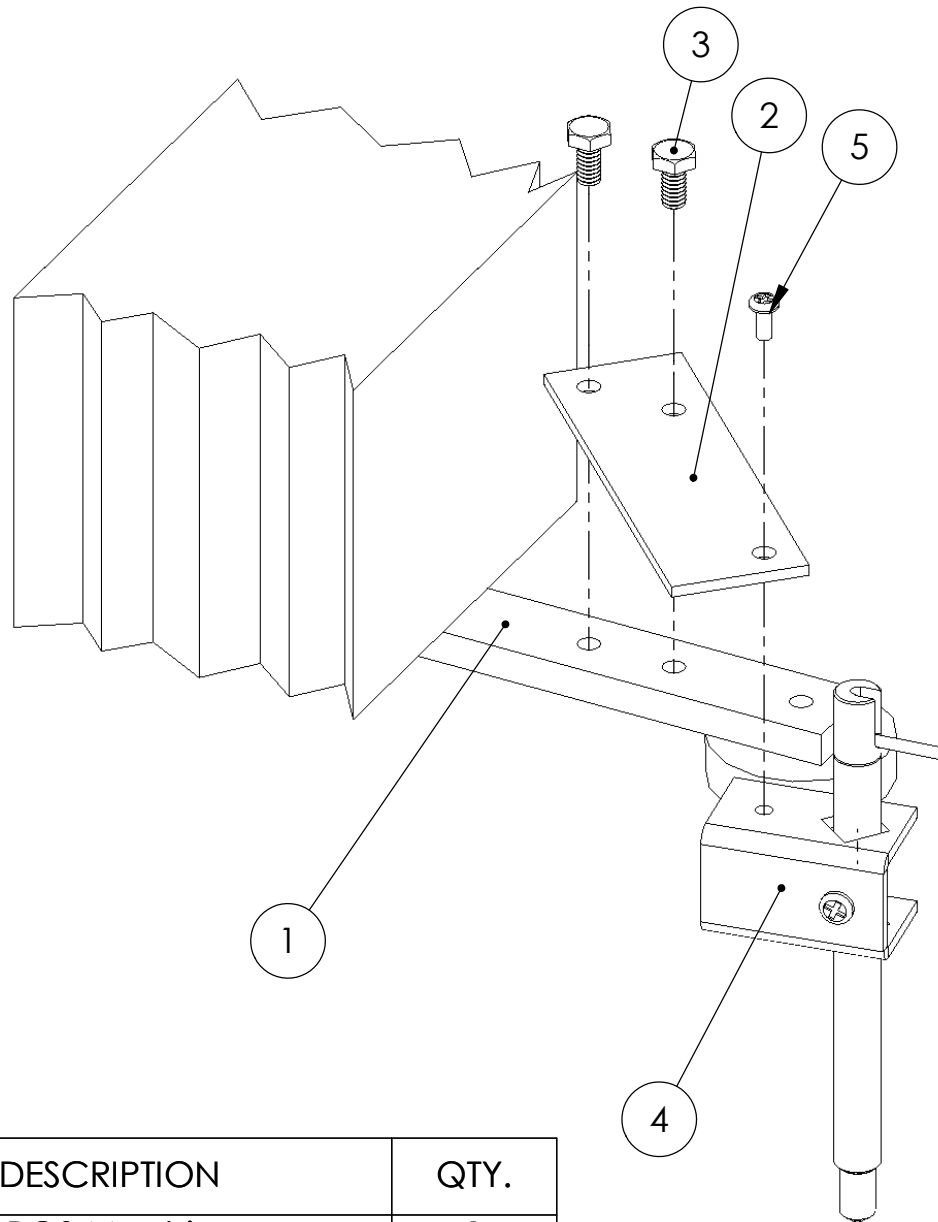


Quilt-EZ's APQS Millenium Instructions



Instructions:

1. Mount the APQS Adapter (2) to the APQS Machine in the desired position.
* Note* The bracket can be positioned in various arrangements on either side of the machine.
2. Mount Quilt-EZ Stylus assembly (4) as shown.

ITEM NO.	DESCRIPTION	QTY.
1	APQS Machine	1
2	APQS Millenium Adapter	1
3	1/4-20 x 1/2 inch bolt	2
4	Quilt-EZ Stylus Assembly	1
5	8-32 Philips Bolts	1