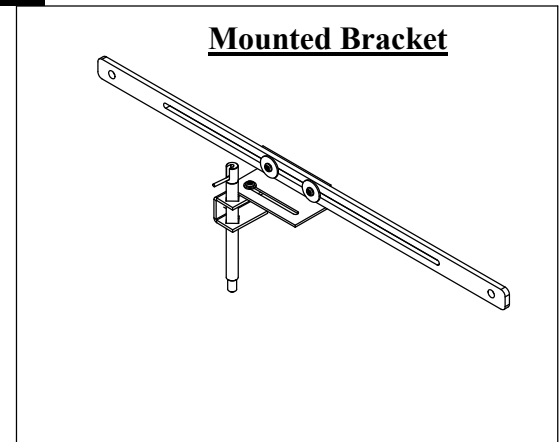
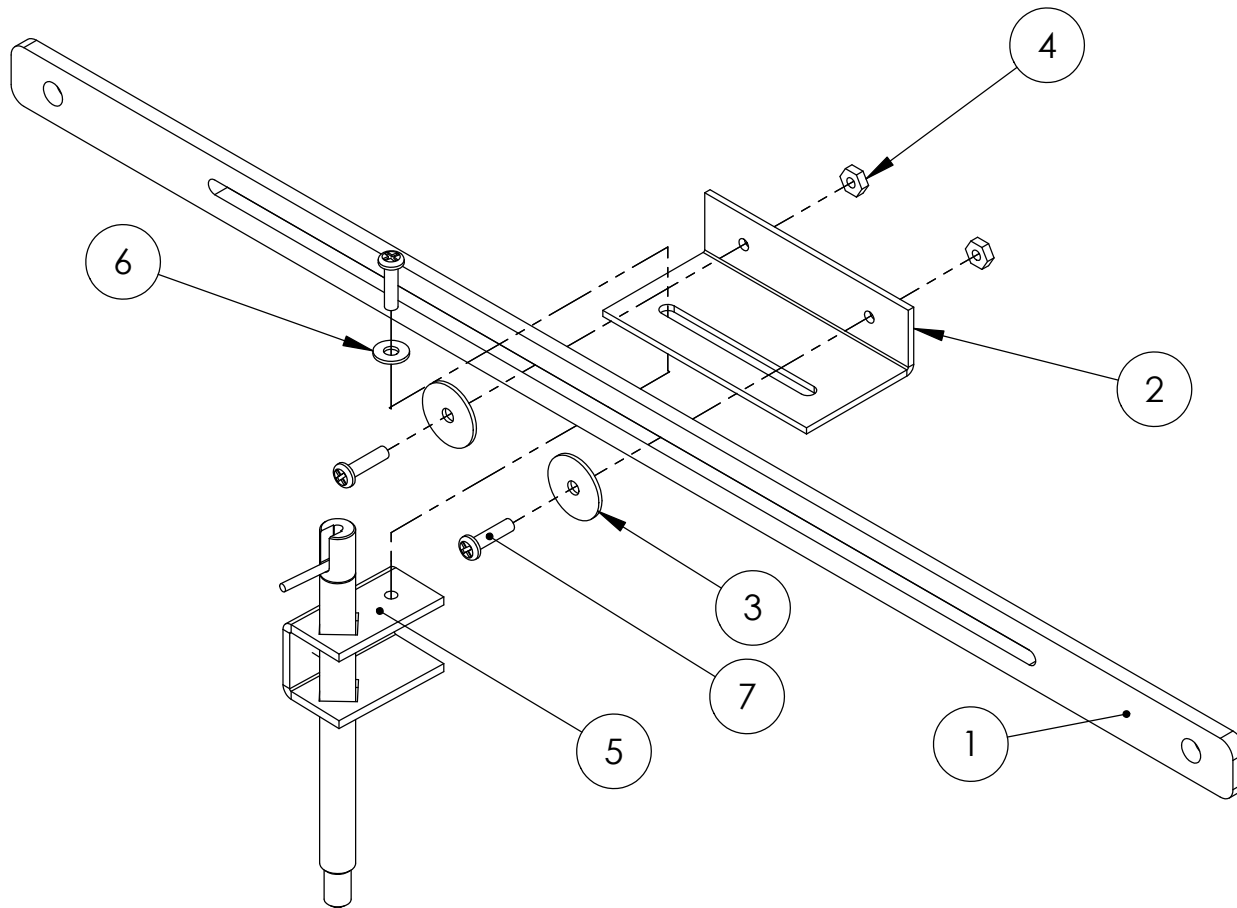


Quilt-EZ A1 Mounting Instructions



ITEM NO.	DESCRIPTION	QTY.
1	A1 Machine Slotted Bracket	1
2	Quilt-EZ A1 Adapter	1
3	1 inch fender washer	2
4	10-32 Nut	2
5	Quilt-EZ Stylus Assembly	1
6	10-32 washer	1
7	#10 Button Head x .75 long	3

Instructions

1. Mount Quilt-EZ A1 Adapter as shown
2. Tighten bolts until bracket is secure
3. Mount Quilt-EZ Stylus Assembly as shown
4. Tighten bolt until secure
5. Your Quilt-EZ stylus is now ready to use.